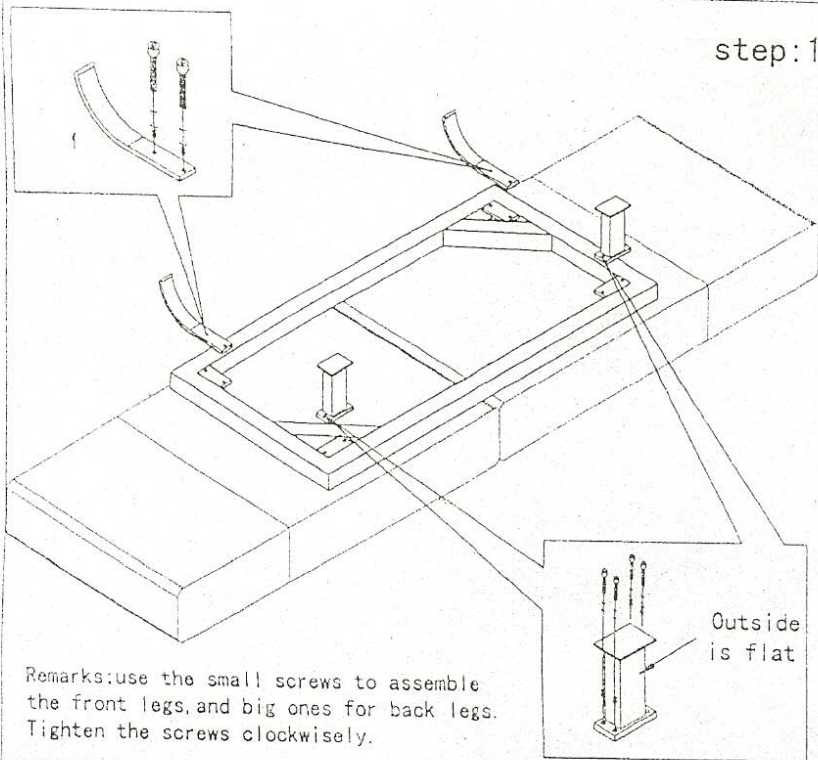
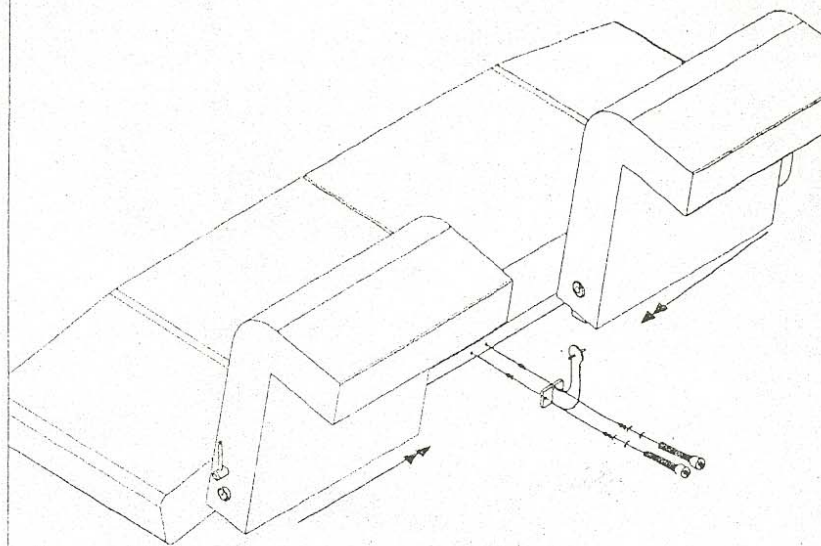


step:1 step:2



Remarks:use the small screws to assemble the front legs,and big ones for back legs. Tighten the screws clockwise.

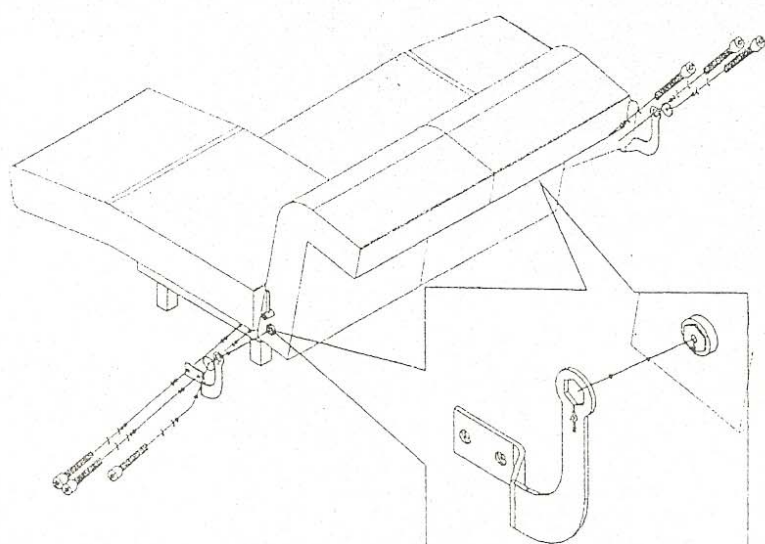
Outside is flat



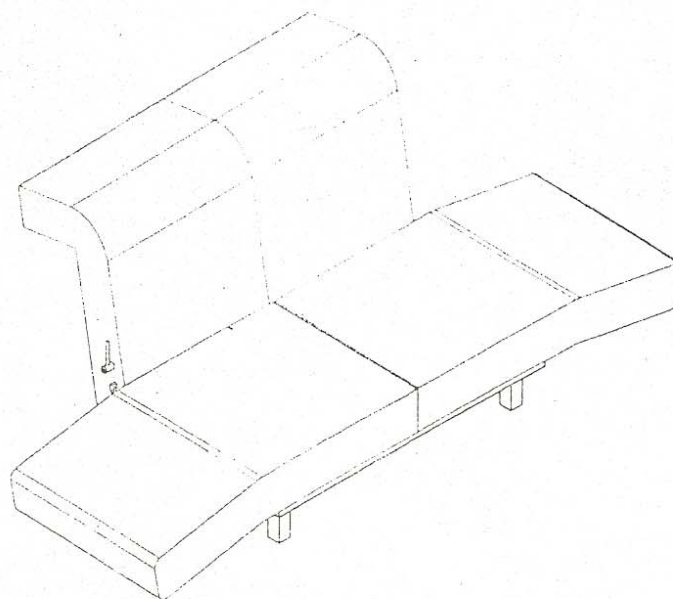
Remarks:1.First assemble the side sticks;
2.Then assemble the left and right backrest accordingly. (To match the holes in the sticks)

step:3 step:4

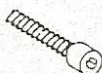



Remarks:when assembling the side sticks,pay attention to the direction for matching(reference the illustration). Then tighten the screws.



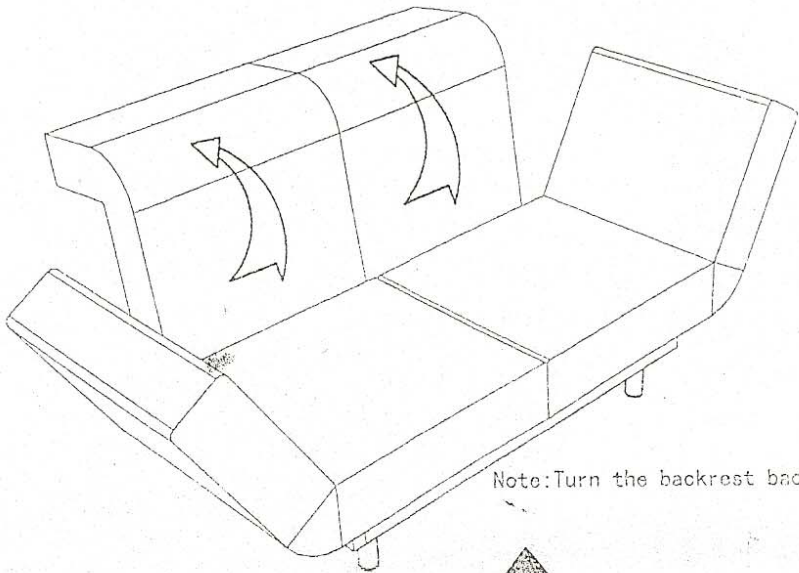
Finished.



P2061-2 Assembling Illustration

Setting	Model	Quantity
	M8X20	12
	M5X20	8
	3mm	1,
	6mm	1

P2061-2 Function Illustration



WARNING:
This spanner's
using strength
must be no more
than 5kg

