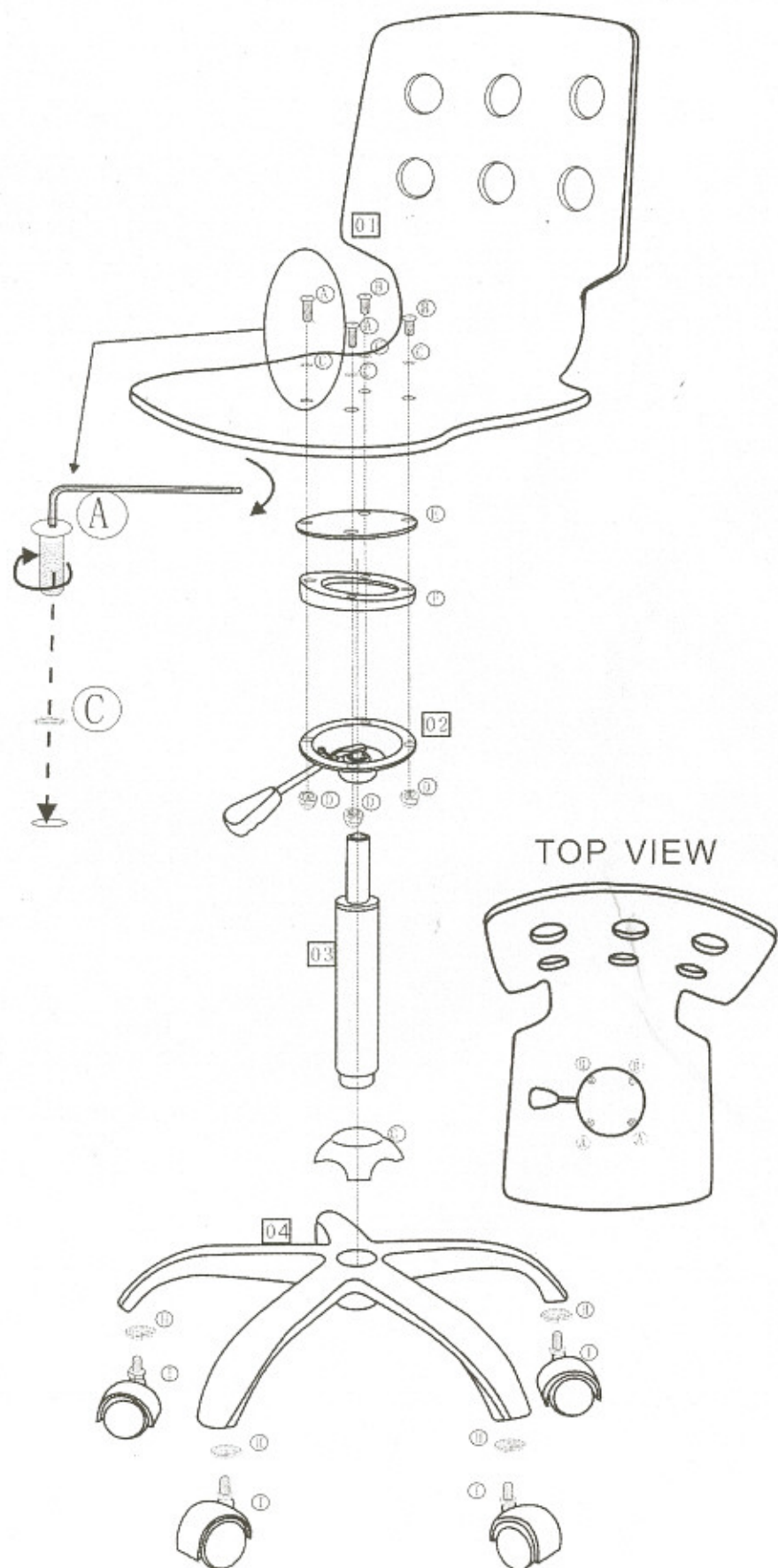
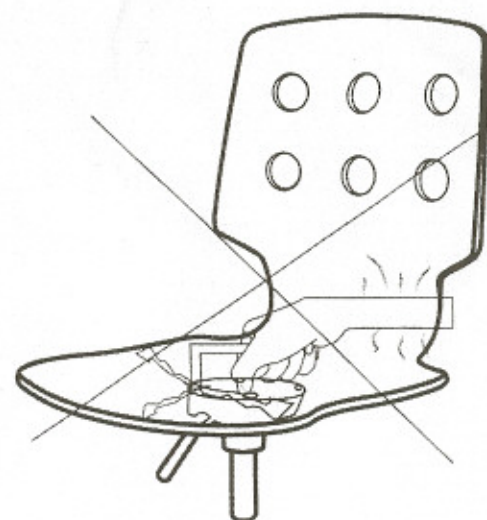


COMPONENT PARTS

FITTINGS



- ① *2
- ② *2
- ③ *4
- ④ *4
- ⑤ *1
- ⑥ *1
- ⑦ *1
- ⑧ *1
- ⑨ *5
- ⑩ *5
- ⑪ *1
- ⑫ *1



PLS DO NOT SCREW TOO TIGHT

902.007 / 003