

Each product contains

Number	Picture	Name	Quantity	Additional accessories
①		Plastic shell	1	
②		Tray	1	
③		leg	1	
④		Nuts	4	1
⑤		Screws	8	1
⑥			4	



X1



X 1

NET-10



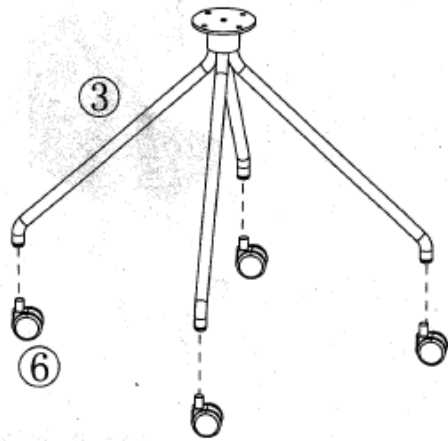
Assembly instructions

1

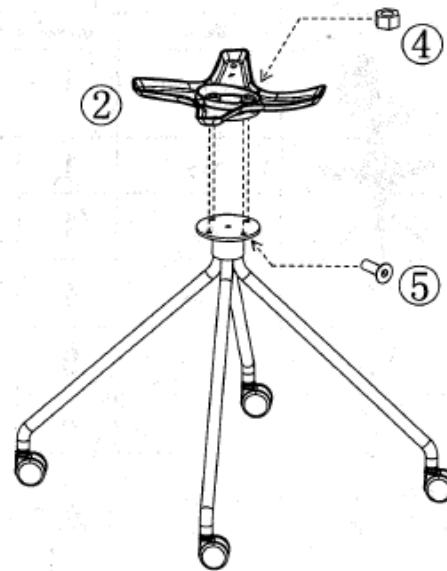
Install the wheels then tightened with a wrench.



X 1



2



3

Assemble the seat according to the corresponding letter.

