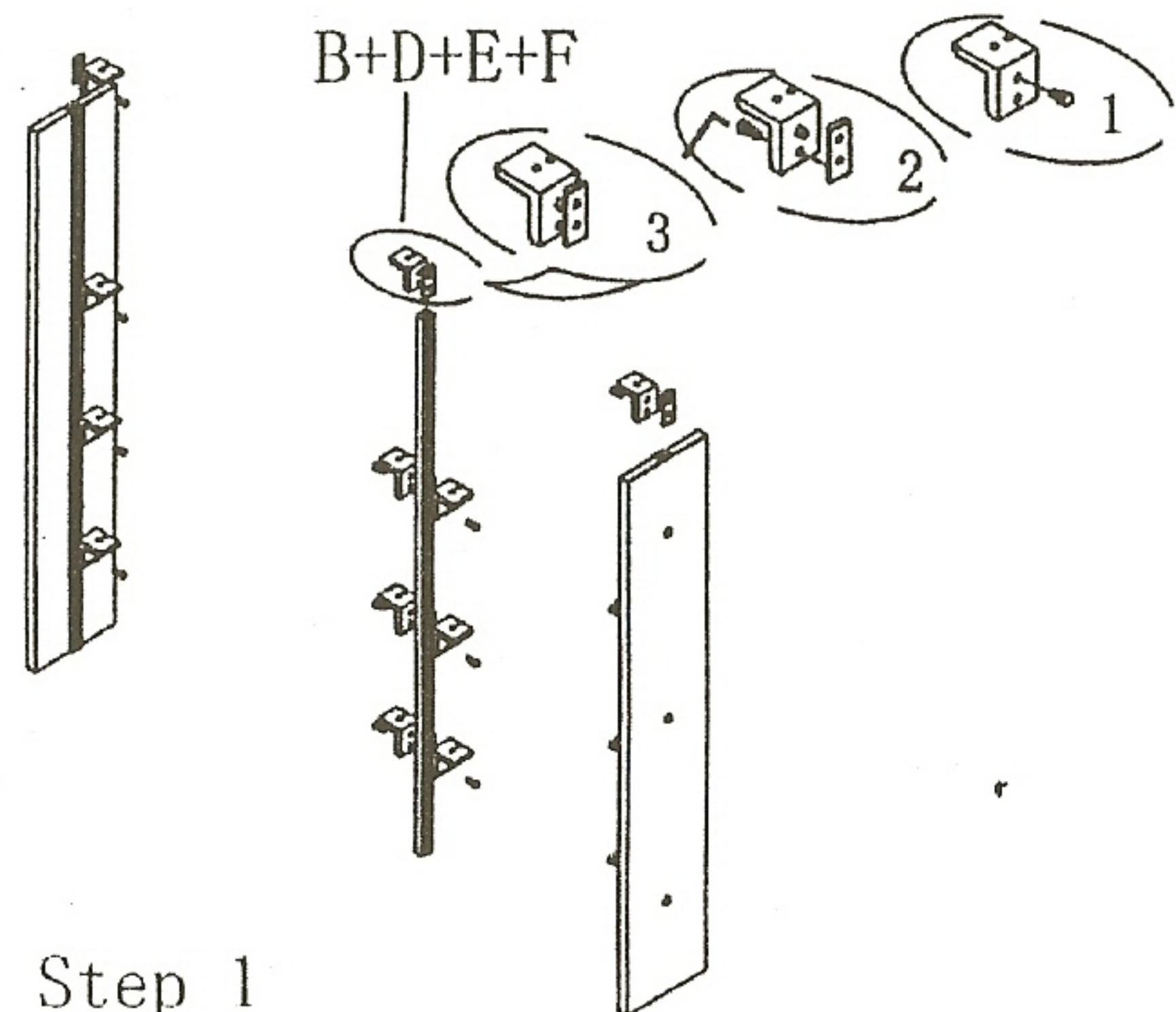
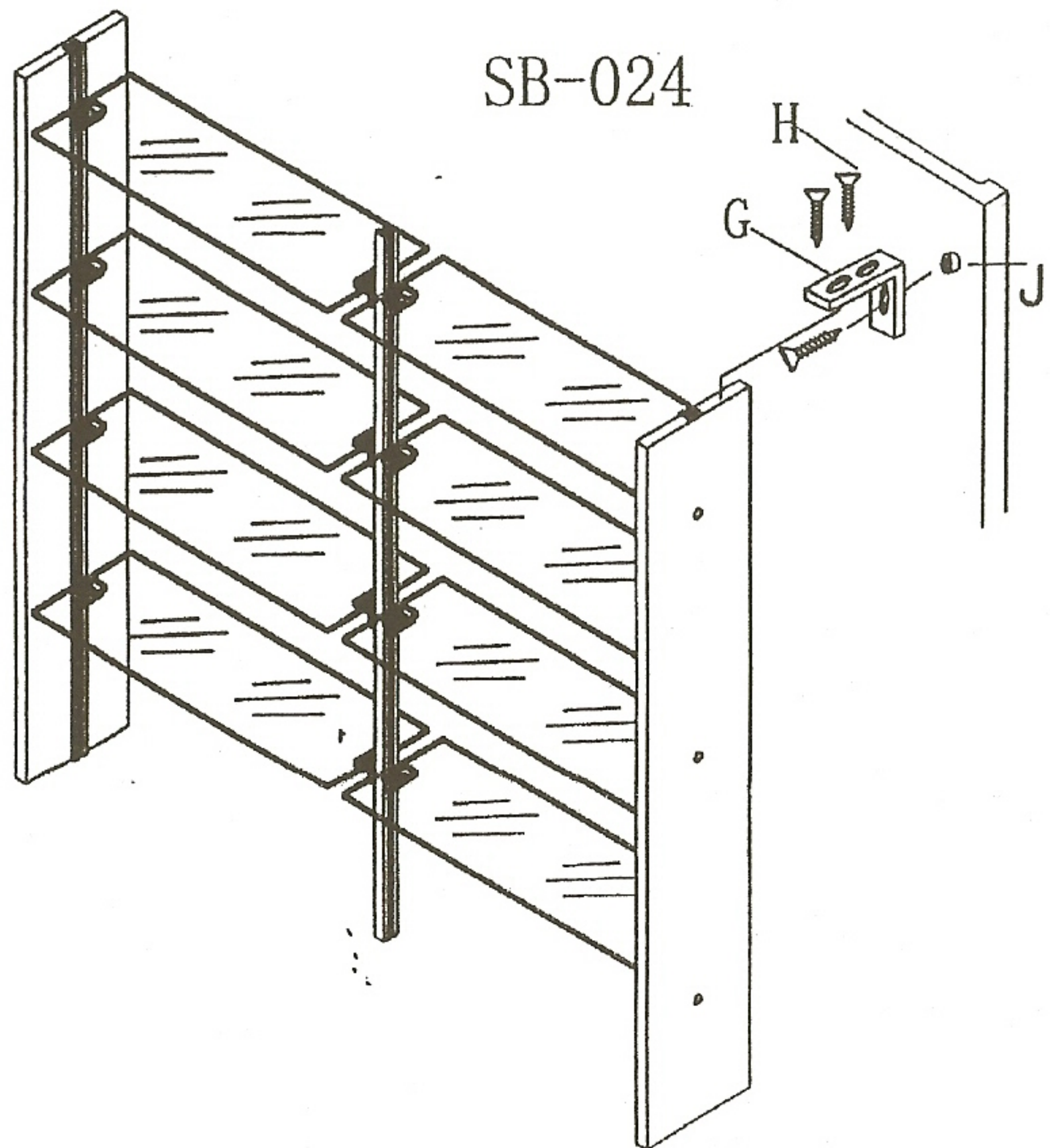
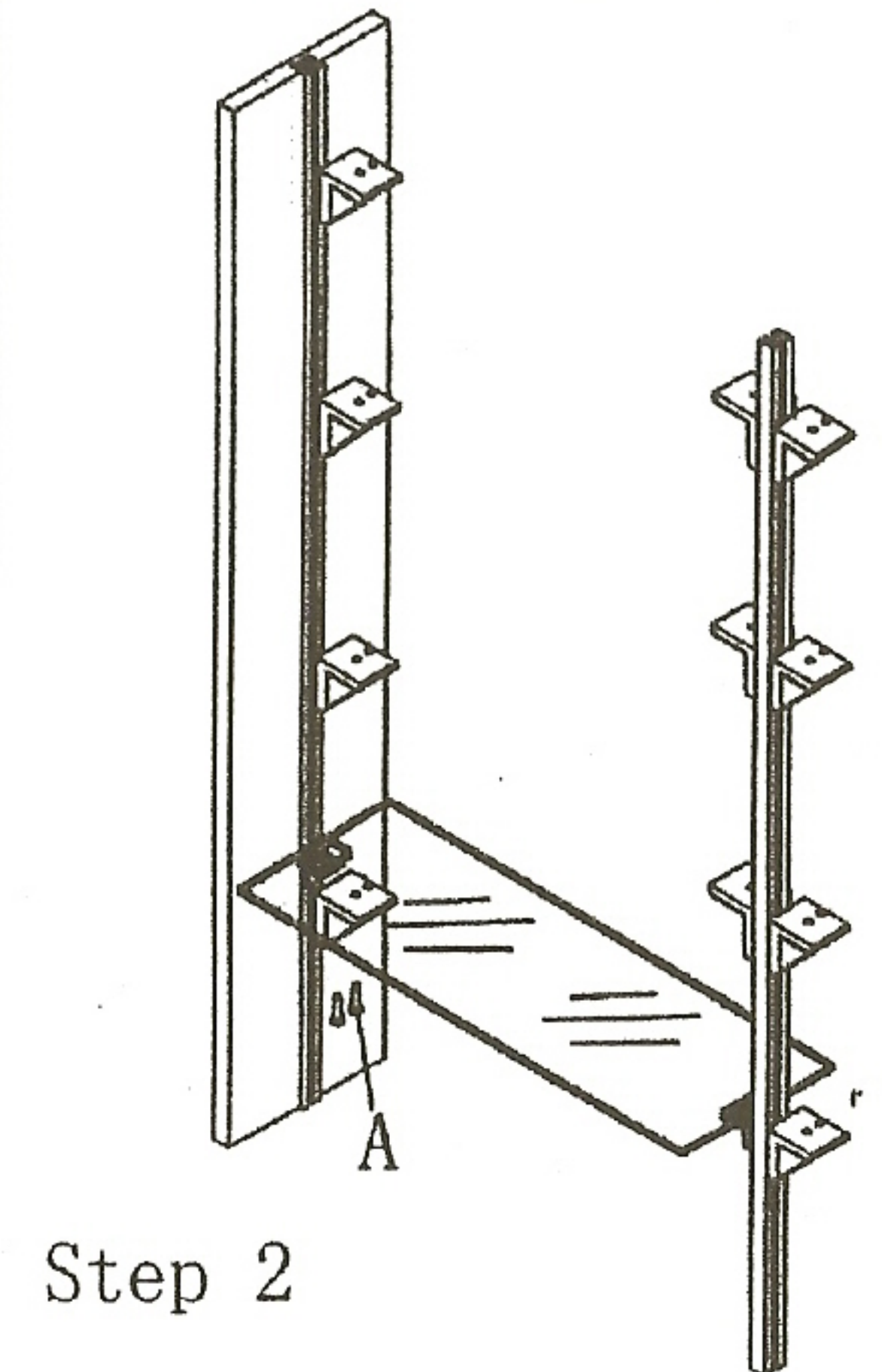


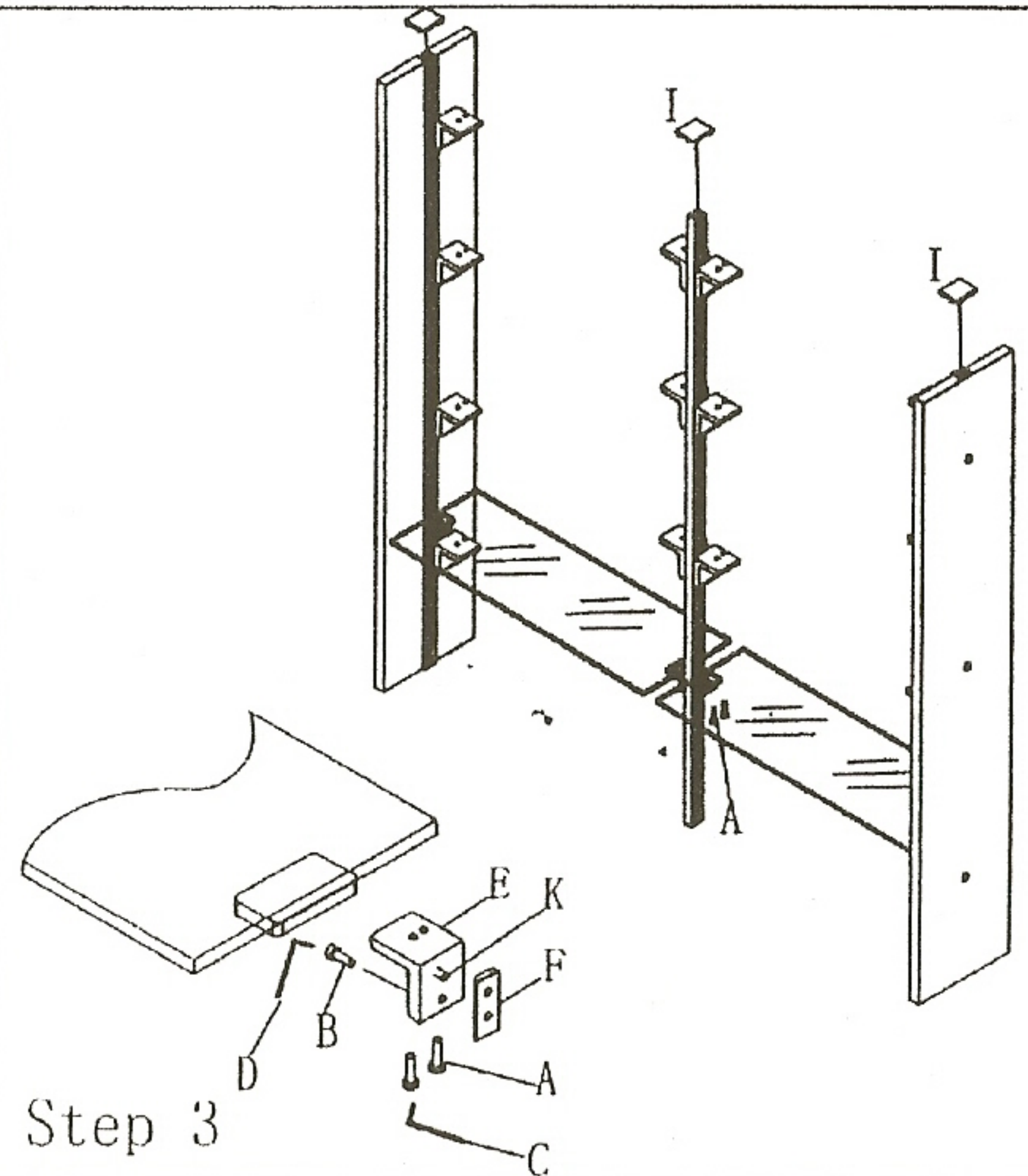
SB-024



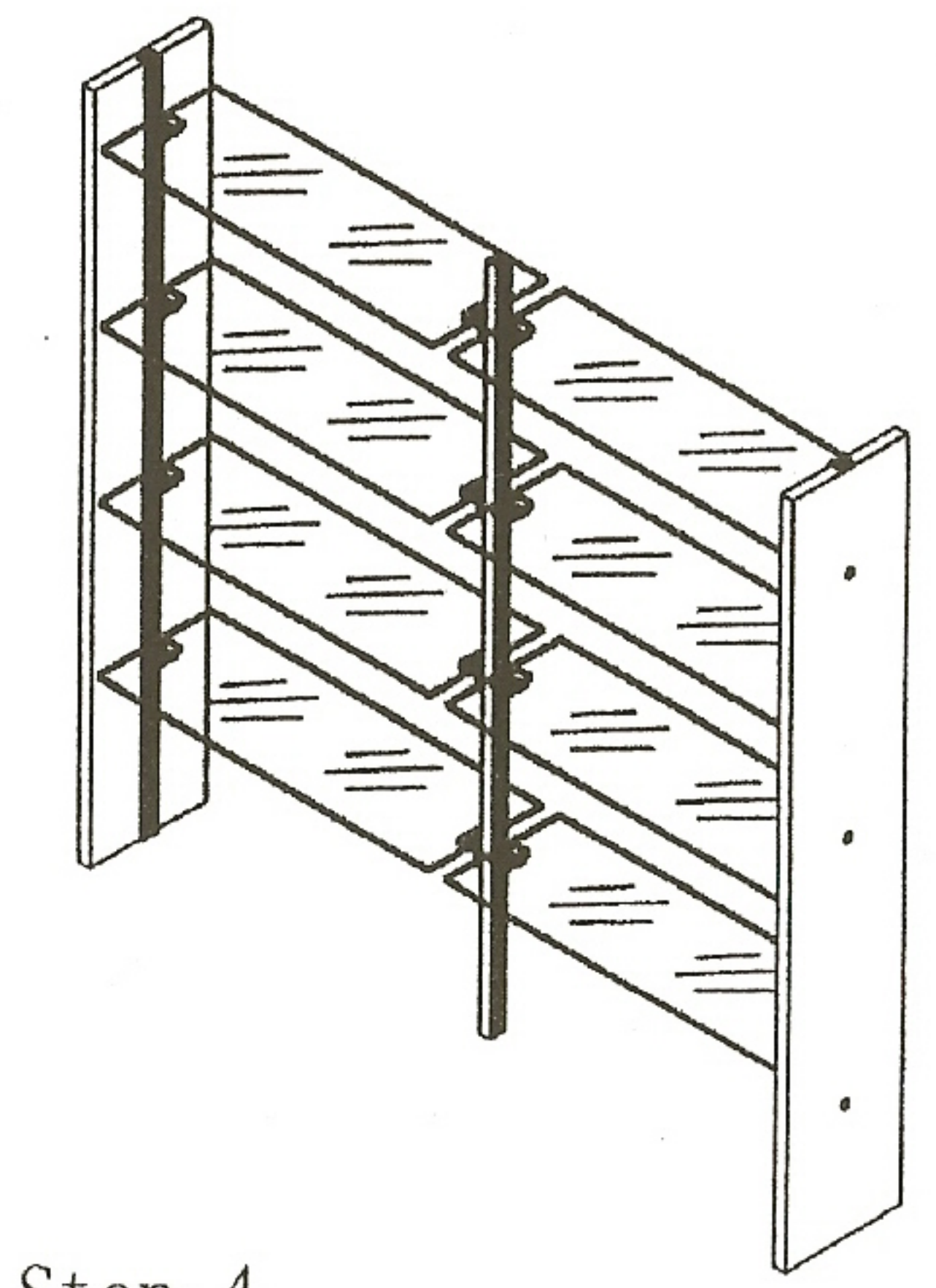
Step 1



Step 2



Step 3



Step 4

FITTINGS

A		x32	G		x 2
B		x16	H		x 6
C		5mm x 1	I		x3
D		6mm x 1	J		x 2
E		x 16	K		x 16
F		x 16	FITTING NEED 2 PEOPLE/ MONTAGE A 2 PERSONNES		